

# Marley Classic™ Spouting System



Marley New Zealand uPVC spouting and downpipe systems are designed for the collection and discharge of rainwater from roof areas.

Classic™ Spouting:

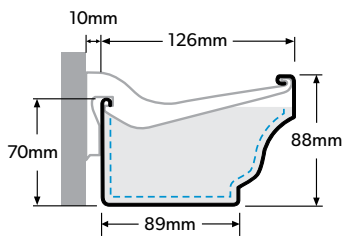
- › Sharp, angular lines.
- › Internal brackets.
- › Ideal for bungalows, villas and colonial style houses.
- › Designed for the efficient flow of rainwater when used in conjunction with Marley's RP80® 80mm round downpipe system.
- › Classic spouting can also be used with RP65® 65mm round downpipe and rectangular downpipes (65x50mm or 100x50mm).

**Colours available:**



White

## Technical Details – Classic™ Spouting

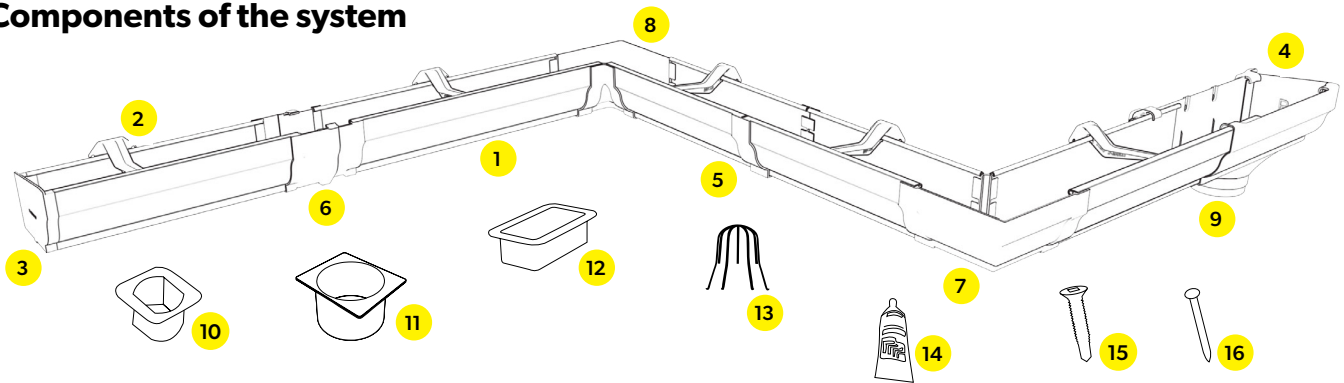


- **Cross Sectional Area:** 7,300mm<sup>2</sup>
- **Wetted Perimeter Area:** 228mm
- Flow Capacity:** 108 litres/minute
- Material:** uPVC (Unplasticised PVC)

**Minimum Recommended Fall:**  
1:2000 (0.5mm per 1m)

**Bracket System:** Internal brackets. To be spaced at max 500mm centres (reduce to 300mm in high wind or snow prone areas)

## Components of the system



**Table 1:** System Components

COMPONENT	WHITE
1 Classic Spouting 5m Length	MC1.5
1 Classic Spouting 3m Length	MC1.3
1 Classic Spouting 1.5m Length	MC1.REPAIR
2 Classic Internal Bracket	MC2
3 Classic Left Hand Stopend	MC3
4 Classic Right Hand Stopend	MC4

COMPONENT	WHITE
5 Classic Spouting Joiner	MC5
6 Classic Expansion Joiner	MC17
7 Classic External Angle 90°	MC6
8 Classic Internal Angle 90°	MC7
9 Classic Expansion Outlet 65mm	MC8.65
9 Classic Expansion Outlet 80mm	MC8.80
10 Dropper Outlet 65mm	MC11.65
11 Dropper Outlet 80mm	MC11.80
12 Dropper Outlet 100x50mm	MC11.100.50
13 Outlet Strainer	RWST
14 Solvent Welding Cement 180g Tube	MCS
15 Bracket Screws for Metal Fascia	SCREW.METAL
16 Bracket Nails	MCNAILS
Special Spouting Angle - Flat	SCREW.METAL
Special Spouting Angle - Rake	MCNAILS

Most of the products mentioned in Table 1 are manufactured by Marley NZ, however some of them may be sourced from reputable companies.

## Manufacturer

### Marley New Zealand Limited

- › 32 Mahia Rd, Manurewa, Auckland – New Zealand
- › 0800 627539
- › [www.marley.co.nz](http://www.marley.co.nz)
- › [info@marley.co.nz](mailto:info@marley.co.nz)
- › NZBN: 9429038863431

## Others

### Bostik New Zealand Ltd

- › 19 Eastern Hutt Road, Wingate, Lower Hutt, Wellington 5019
- › [www.bostik.com](http://www.bostik.com)
- › [nzsales@bostik.com](mailto:nzsales@bostik.com)

### Anzor Fasteners Ltd

- › 93 Apollo Drive, Albany, Auckland
- › [www.anzor.co.nz](http://www.anzor.co.nz)
- › [accounts@anzor.co.nz](mailto:accounts@anzor.co.nz)

### NZ Nail Industries Ltd

- › 809A Great South Road, Mount Wellington, Auckland 1643
- › [www.nznails.co.nz](http://www.nznails.co.nz)
- › [accounts@nznails.co.nz](mailto:accounts@nznails.co.nz)

## Relevant Building Code Clauses

The Classic™ Spouting System when used, installed, and maintained in accordance with the requirements outlined in this document, will meet or contribute to meeting:

- › NZBC Clause B2: Durability. Exceeds the requirement NZBC B2.3.1 c) 5 years.
- › NZBC Clause E1: Surface Water. Meets the requirements for NZBC E1.3.3 (a), (b), and (d).
- › NZBC Clause F2: Hazardous Building Materials. Meets this requirement and will not present a health hazard to people.

## Quality Assurance

Product batch release testing is conducted by Quality Control systems according to manufacturing standards at the site of manufacture. All product compliance validation is conducted at the Marley IANZ Registered Laboratory (IANZ 92).

## Limitations on the use

Marley uPVC spouting and downpipe systems are suitable **ONLY** as external spouting and downpipes and are **NOT** suitable for use as a concealed system or as an internal spouting system.

## Guarantee

Marley guarantees the purchaser of Marley spouting or downpipe products against defects in material and manufacture for a period of 15 years from the original date of purchase. For more information refer to [Marley Guarantee](#).

## Design

- › All the dimensions referenced are nominal.
- › Each Marley spouting system has a different flow capacity and cross-sectional area.
- › Marley recommends reducing the bracket spacing to 300mm maximum for areas subjected to high wind or occasional light snowfall.
- › Over time the components of the Marley spouting and downpipe system will weather. Weathering of the external surfaces does not affect the long-term durability of the system.
- › All Marley spouting systems feature a high front face and maintain a 10mm gap between the back face of the gutter and the fascia board so that water is able to overflow over the back face without entering the building envelope.

For more information refer to [Marley Spouting Systems Design Details](#).

## Installation

### A. Planning and Preparation

- › Establish the following:
  - › Downpipe/spouting outlet locations.
  - › Thermal expansion relief points.
  - › Spouting and downpipe lengths required.
  - › Fittings required.
- › Determine which direction the installation will be completed as the spouting must fall towards the outlets. Components should be solvent welded one after the other working in one direction. Use only Marley MCS solvent cement to ensure a watertight system.
- › Roof overhang should be no less than 50mm.
- › Marley spouting systems allow for the thermal expansion of uPVC using expansion outlets and expansion joiners.

### B. Spouting installation

- › Marley recommends a minimum fall to the outlet of 5mm per 10m.
- › Brackets must be secured to the fascia with a maximum spacing of 500mm. In high wind areas prone to light snowfall reduce spacing to 300mm maximum.
- › Use a minimum of 3 fixings per bracket.
- › Use only Marley MCS solvent cement.
- › Expansion outlet: Set up the string line so that the bottom edge of the spouting brackets are aligned with the string line. Mark the position of the expansion outlet on the fascia. Fix the expansion outlet to the fascia using the side fixing tabs to align with the string line. The spouting is clipped into the expansion outlet. Do not glue.
- › Different scenarios may apply to any given job including:
  - › Spouting run to an expansion outlet.
  - › Spouting run with an expansion joiner.
  - › Spouting run to dropper outlet.

For more information refer to [Spouting & Downpipe DIY Installation Guide](#) Step 4.

## Maintenance requirements

- › If spouting is at height or difficult to access, consider consulting a professional installation or maintenance company.
- › Check brackets, they should be spaced no more than 500mm apart.
- › Check that fall is no more than 0.5mm per 1m.
- › Clear debris.
- › Check expansion joiner seal (where an expansion joiner has been used).
- › Wash your Marley spouting system at least once a year.
- › If painting white spouting. Thoroughly clean surface. Apply one coat of acrylic undercoat, followed by one coat of acrylic topcoat. Apply a second top coat if necessary. Use only light colours.

For more information refer to [Marley Rainwater Systems Maintenance Schedule](#).

## Warning and/or Bans

The Classic™ system is not subject to any warning or ban.