

# Bathroom Solutions

Marley supply reliable bathroom products backed up with an extensive range of spare parts that have been installed all over New Zealand for many years. This includes the Centreflush the longest continually produced plastic cistern in New Zealand having been first designed and produced in 1964 it is now approaching its 60<sup>th</sup> year of production.

- › Side and bottom entry options
- › WELS rated cisterns
- › Pan pack availability
- › Durable polypropylene material
- › 40 and 50mm flush pipes
- › Height adjustability, (Centreflush)
- › Link suites
- › Full range of spares
- › Range of accessories Seats, Valves
- › Adjustable volumes

## Material Specifications

### Cistern Body, Lid and Flush Pipes, Seats

- › Titan Pro PD701 – Polypropylene Homopolymer

### Seals

- › Santoprene 201-64W255 Thermoplastic Vulcanizate

### Valves

- › ABS Body
- › Silicone seal
- › Neoprene diaphragm

### Basins

- › Vitreous China

## Product Codes

CODE	DESCRIPTION	CODE	DESCRIPTION
CFDFUWWH2	Centreflush2 <sup>®</sup> Cistern	LLBEPPPWH	Loline Toilet Suite – P Trap bottom Inlet
CFDFPPSWH	Centreflush2 <sup>®</sup> Toilet Suite – S Trap	LLSEPPSWH	Loline Toilet Suite – S Trap Side Inlet
CFDFPPPWH	Centreflush2 <sup>®</sup> Toilet Suite – P Trap	LLSEPPPWH	Loline Toilet Suite – P Trap Side inlet
DVIENNACS	Vienna <sup>®</sup> Cistern & Seat	DVIENNALIFE-S	Vienna <sup>®</sup> Lifestyle Toilet Suite – S Trap
DVIENNASWH	Vienna <sup>®</sup> Toilet Suite – S Trap	C16P45	Marley Pan P trap
DVIENNAPWH	Vienna <sup>®</sup> Toilet Suite – P Trap	C16S45	Marley Pan S Trap
LLDFBEWH	Loline Cistern – Bottom Inlet	CLDFWH	Classic Toilet Seat
LLDFSEWH	Loline Cistern – Side Inlet	RGDFWH	Regent Toilet Seat
LLBEPPSWH	Loline Toilet Suite – S Trap bottom Inlet		

## Product Intended Use

Cisterns – flushing of human waste to the sewer lines through pan via water volume

Pans – connection to sewer lines with water seal protection against sewer gases

Seats – practical comfort when using pans

## Water Efficiency Labelling Scheme (WELS) Rating

Centreflush – 3 Star

Vienna – 4 Star

Loline – 3 Star

C16P45 – 4 Star Lic. No. 0137

C16S45 – 4 Star Lic. No. 0137

# Manufacturing Standards

AS/NZS 6400 – Water Efficient Products – Rating & Labelling

AS 1976:1992 (R2016) Vitreous China used in sanitary appliances

## On Product Identifiers

PRODUCT	IDENTIFIER	PACKAGING
Centreflush2®	Logo, WELS label	Contact details + website
Vienna®	Logo, WELS label	Contact details + website
Loline	Logo, WELS label	Contact details + website
C16 Pans	WELS Labels	Sticker – Marley Logo
Classic Seat	Logo	Contact details + website
Regent Seat	Logo	Contact details + website

## Relevant New Zealand Building Code Clauses

The Centreflush2®, Vienna® and Loline cisterns are dual flush cisterns that meet WELS requirements for water flush volumes and therefore meet the requirements of G1/AS1 2.2

The C16 Pans are manufactured from Vitreous China and have a water seal greater than 50mm which satisfies the requirements of G1/AS1 2.1.

G1 – Personal Hygiene

G1/AS1 – 2.1 WC Pans and G1/AS1 – 2.2 Flushing Systems

## Design

Cistern Valves: Dependent on the configuration chosen the cisterns will have either an adjustable side entry or bottom entry fill valve designed to accept water pressures ranging from 29.42kPa – 980kPa.

Flush valves are designed to release either a half or full flush and can be adjusted to a range of volumes, typically the volumes should be set for either 4.5/3litre or 6/3litre however the Centreflush can be increased to a maximum 9 litre volume when using older style VC Pans. The flush valves have an integrated overflow pipe.

Cisterns: Centreflush2® is available as a side entry only but can be configured for left or right entry.

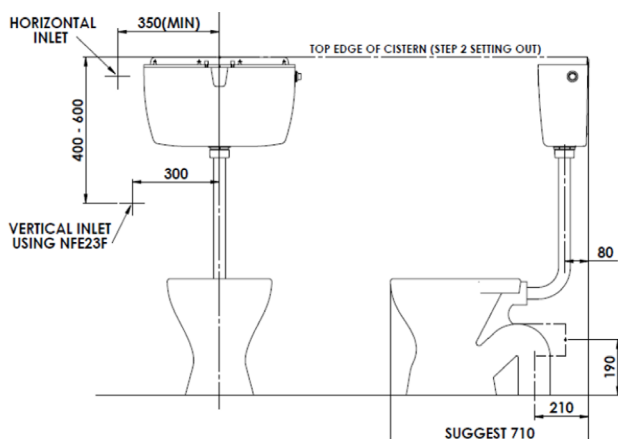
Vienna® is available as a bottom entry only with left or right entry configurations.

Loline is available with both side and bottom entry options that can be positioned on the left or right.

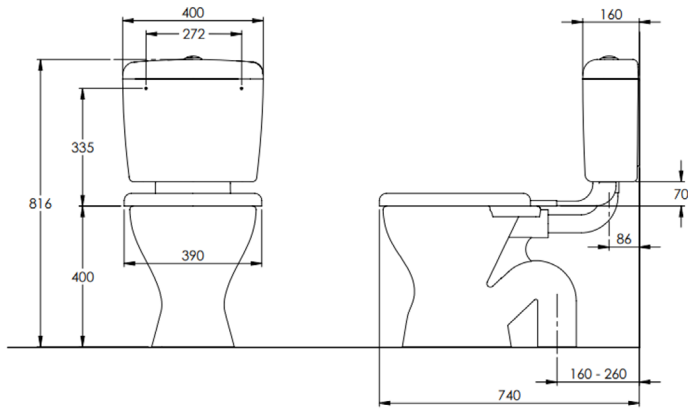
## Installation

The Vienna® and Loline cisterns are set height systems with a 50mm flush pipe, adjustment of the height by cutting the flush pipe down is not recommended as this will reduce the velocity of the water entering the pan reducing the effectiveness of the flush.

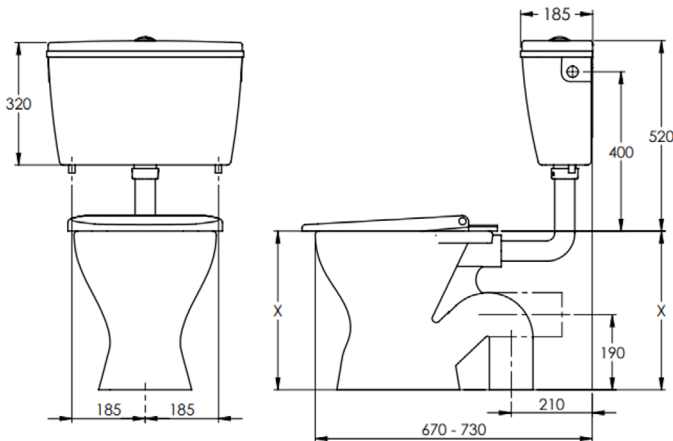
The Centreflush2® can be adjusted by cutting the height of the flush pipe, the minimum height of the flush pipe from the centre of the leg to the top of the pipe should be no shorter than 300mm which will maintain enough velocity in the water to complete a full flush.



Layout for Centreflush2® note overall height dimension not supplied due to the flush pipe ability to be adjusted



Layout for Vienna® Cistern with link connection



Layout for Loline Cistern, note dimension of pan X varies standard 400mm, comfort height 450mm

## Importer/Distributor

### Marley New Zealand Limited

- › 32 Mahia Road, Manurewa, Auckland 2102, New Zealand
- › 0800 627 539
- › [info@marley.co.nz](mailto:info@marley.co.nz)
- › [www.marley.co.nz](http://www.marley.co.nz)
- › NZBN: 9429038863431

## Manufacturer

- › **WaterTec (Malaysia) SDN BHD – Componentry**
- › Lot 3 & 4, Jalan Halba Satu 16/16A, Section 16, 40200 Shah Alam, Selangor Darul Ehsan, Malaysia
- › +60 (3) 5510 7808
- › [www.watertec.biz](http://www.watertec.biz)

## Manufacturer VC Pans

- › **Roca Bathroom Products Pt. Ltd.**
- › Unit no. 201, 202, 201A ABW Tower, MG Road, Gurugram – 122002, India
- › +91-124-42378347/48/49
- › [info.laufen@in.roca.com](mailto:info.laufen@in.roca.com)
- › [www.laufen.in](http://www.laufen.in)

## Limitations on Use

Marley Bathroom Solutions products are designed primarily for residential or light commercial use for the removal of human waste from the building to the sewer lines. Using these products for applications other than the above is not recommended and will forfeit any product warranties.

## Warnings and/or Bans

The Standard and Bottle trap range of products are not subjected to any Warnings or Bans relating to the installation and or use of traps supplied by Marley New Zealand Ltd. with any council or local authority in New Zealand that Marley has been made aware of.