



LD Pipe Fittings

For low density pipe



Low Density Pipe Fittings Range



Whether you are storing, transporting or distributing water or wastewater Marley has the solution for you. With manufacturing facilities New Zealand wide and selections of strong supporting brands Marley can assist whatever your requirements.

Straights



Straight Coupling

Item Code	Primary	Secondary
LDSC15	15mm	15mm
LDSC20	20mm	20mm
LDSC25	25mm	25mm
LDSC32	32mm	32mm
LDSC40	40mm	40mm
LDSC45	45mm	45mm
LDSC50	50mm	50mm

Reducing Coupling

Item Code	Primary	Secondary
LDRC2015	20mm	15mm
LDRC2515	25mm	15mm
LDRC2520	25mm	20mm
LDRC3220	32mm	20mm
LDRC3225	32mm	25mm
LDRC4025	40mm	25mm
LDRC4032	40mm	32mm
LDRC4540	45mm	40mm
LDRC5040	50mm	40mm

Male Coupling

Item Code	Primary	Secondary
LDMC15	15mm	½"
LDMC20	20mm	¾"
LDMC25	25mm	1"
LDMC32	32mm	1¼"
LDMC40	40mm	1½"
LDMC4550	45mm	2"
LDMC50	50mm	2"

Reducing Male Coupling

Item Code	Primary	Secondary
LDRMC1520	15mm	¾"
LDRMC1525	15mm	1"
LDRMC2015	20mm	½"
LDRMC2025	20mm	1"
LDRMC2032	20mm	1¼"
LDRMC2515	25mm	½"
LDRMC2520	25mm	¾"
LDRMC2532	25mm	1¼"
LDRMC3220	32mm	¾"
LDRMC3225	32mm	1"

Female Coupling

Item Code	Primary	Secondary
LDFC15	15mm	½"
LDFC20	20mm	¾"
LDFC25	25mm	1"
LDFC32	32mm	1¼"
LDFC40	40mm	1½"
LDFC50	50mm	2"

Reducing Female Coupling

Item Code	Primary	Secondary
LDRFC1520	15mm	¾"
LDRFC2015	20mm	½"
LDRFC2025	20mm	1"
LDRFC2520	25mm	¾"
LDRFC2532	25mm	1¼"
LDRFC3225	32mm	1"
LDRFC3240	32mm	1½"
LDRFC4032	40mm	1¼"
LDRFC4050	40mm	2"
LDRFC5040	50mm	1½"

Bends



Bend		
Item Code	Primary	Secondary
LDB15	15mm	15mm
LDB20	20mm	20mm
LDB25	25mm	25mm
LDB32	32mm	32mm
LDB40	40mm	40mm
LDB50	50mm	50mm



Male Bend		
Item Code	Primary	Secondary
LDMB15	15mm	1/2"
LDMB20	20mm	3/4"
LDMB25	25mm	1"
LDMB32	32mm	1 1/4"
LDMB40	40mm	1 1/2"
LDMB50	50mm	2"



Reducing Male Bend		
Item Code	Primary	Secondary
LDRMB1520	15mm	3/4"
LDRMB2015	20mm	1/2"
LDRMB2025	20mm	1"
LDRMB2520	25mm	3/4"



Female Bend		
Item Code	Primary	Secondary
LDFB15	15mm	1/2"
LDFB20	20mm	3/4"
LDFB25	25mm	1"
LDFB32	32mm	1 1/4"
LDFB40	40mm	1 1/2"
LDFB50	50mm	2"



Reducing Female Bend		
Item Code	Primary	Secondary
LDRFB1520	15mm	3/4"
LDRFB2015	20mm	1/2"
LDRFB2025	20mm	1"
LDRFB2520	25mm	3/4"
LDRFB2532	25mm	1 1/4"
LDRFB3225	32mm	1"
LDRFB3240	32mm	1 1/2"
LDRFB4032	40mm	1 1/4"
LDRFB4050	40mm	2"
LDRFB5040	50mm	1 1/2"



Long Male Bend		
Item Code	Primary	Secondary
LDLMB15	15mm	1/2"
LDLMB20	20mm	3/4"
LDLMB25	25mm	1"



Long Reducing Male Bend		
Item Code	Primary	Secondary
LDLRMB1520	15mm	3/4"
LDLRMB2015	20mm	1/2"
LDLRMB2025	20mm	1"
LDLRMB2520	25mm	3/4"

Tees



Tee		
Item Code	Primary	Secondary
LDT15	15mm	15mm
LDT20	20mm	20mm
LDT25	25mm	25mm
LDT32	32mm	32mm
LDT40	40mm	40mm
LDT50	50mm	50mm



Reducing Tee		
Item Code	Primary	Secondary
LDRT1520	15mm	20mm
LDRT2015	20mm	15mm
LDRT2025	20mm	25mm
LDRT2515	25mm	15mm
LDRT2520	25mm	20mm
LDRT3220	32mm	20mm
LDRT3225	32mm	25mm
LDRT4025	40mm	25mm
LDRT4032	40mm	32mm
LDRT5032	50mm	32mm
LDRT5040	50mm	40mm



Male Tee		
Item Code	Primary	Secondary
LDMT1520	15mm	3/4"
LDMT2020	20mm	3/4"



Female Tee		
Item Code	Primary	Secondary
LDFT15	15mm	1/2"
LDFT20	20mm	3/4"
LDFT25	25mm	1"
LDFT32	32mm	1 1/4"
LDFT40	40mm	1 1/2"
LDFT50	50mm	2"

Brackets



Bracket Elbow		
Item Code	Primary	Secondary
LDBE15	15mm	1/2"
LDBE20	20mm	3/4"



Reducing Bracket Elbow		
Item Code	Primary	Secondary
LDBE1520	15mm	3/4"
LDBE2015	20mm	1/2"

Low Density Pipe Fitting Installation and Design

Repair Join



Repair Join		
Item Code	Primary	Secondary
LDRJ15	15mm	15mm
LDRJ20	20mm	20mm
LDRJ25	25mm	25mm
LDRJ32	32mm	32mm
LDRJ40	40mm	40mm
LDRJ50	50mm	50mm

Installation instructions



Step 1

Cut pipe ends square with pipe cutters, knife or saw. Deburr and chamfer ends if required. Turn nut clockwise until it stops.



Step 2

Push pipe over nozzle and barbs until it stops. This will conceal the pipe end by the nut.

Hint: Soften pipe end with warm water for easier fit.



Step 3

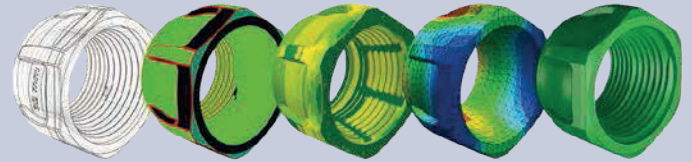
Turn the nut anti-clockwise by hand until it grips the outside of the pipe. The nut teeth will cut into the pipe.



Step 4

Lock the nut tight onto the pipe using a pipe grip, spanner or wrench. This will compress the pipe over the fitting barbs.

LDPE Pipe Data			
Size		Working Pressure	
Nominal Bore (mm)	Internal Diameter (mm)	PSI	kPa
15	12.2	140	970
20	18.55	130	900
25	24.9	115	800
32	31.2	84	650
40	37.55	87	600
50	50.25	72	500

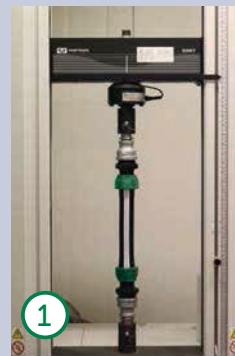


Functional form

From the onset we let function dictate the form, focusing on human and mechanical grip. We then optimised the nut and fitting for strength and durability without compromising aesthetics or quality.

- Hexagonal surfaces for firm mechanical grip
- No sharp external edges for a comfortable hand grip
- Fitting thickened for strength where it counts
- High grade engineering material developed for enhanced impact resistance, to ensure strong barbs and hard teeth.

Our commitment to quality



1 Pipe & Fitting system under no load.



2 Pipe and fitting under high load (see massive elongation of pipe)

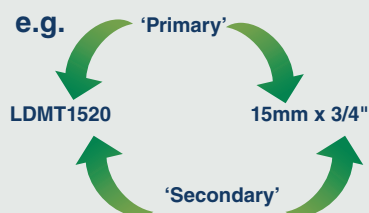
Independent testing was carried out to prove that the fittings would suit a wide range of pipe in service.

Each fitting size was subjected to the following tests at 20°C:

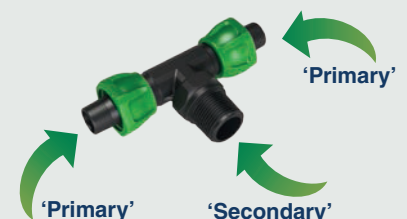
- Resistance to pull-out of assembled joints
- Internal pressure test on assembled joints
- Resistance to leaking when subject to bending

Also suitable for a wider range of flexible pipe and hoses.

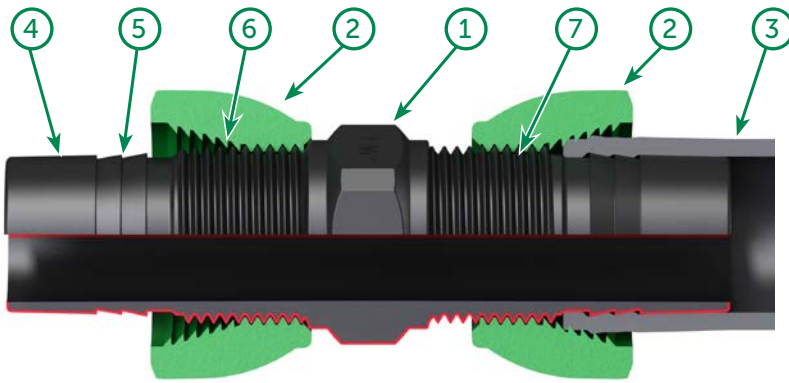
The fittings were also tested and meet the requirements for potable water applications to AS/NZS 4020.



'Primary' refers to the nominal bore of polyethylene pipe (mm) in all cases. 'Secondary' varies by product type and refers to either the pipe nominal bore (mm) or BSP thread size (").



Fitting features and benefits



- Fitting body (1) and nut (2) manufactured from tough, impact resistant glass fibre reinforced nylon for long product life in all general working applications
- Tested and proven to fit all New Zealand LDPE pipe (3) from 15mm to 50mm (see Pipe & Fitting Data)
- Fitting nozzle (4) and barbs (5) push inside pipe to provide interior grip and prevent dislodgement
- Sharp nut teeth (6) bite onto pipe and compress the open pipe end behind the fitting barbs (5)
- Parallel thread (7) guides nut (2) onto pipe to ensure a simplistic, positive engagement every time



Multi purpose pipe fittings

Marley LDPE Pipe Fittings are suitable for a wide range of applications for rural, commercial and domestic use.



Rural Irrigation



Stock Water



Crop Irrigation



Domestic Irrigation



Horticulture



Viticulture

Application

Suitability*

Anti Bloating Agent	✓
Antifreeze	✓
Automotive Fuel	✓
Automotive Lubricants	✓
Bleach	✗
Brake Fluid	✗
Chlorinated Pool Water	✗
Citric Acid 10%	✓
Copper Sulphate 10%	✓
Detergents	✓
Effluent	✓
Fruit Juices	✓
Grease & Oils	✓
Hydraulic Fluids	✓
Milk	✓
Most Acids	✗
Most Solvents	✓
Oxidising Agents	✗
Potable Water	✓
Sea Water	✓

* Suitability is based on general chemical resistance information. Temperature, pressure and concentration can affect fitting performance. Contact us for compatibility with applications other than potable water.

For more information or to request a brochure on our other products and services, freephone 0800 627 539 or visit our website.

MARLEY NEW ZEALAND LTD
 32 Mahia Road, Manurewa, Auckland
 129 Shands Road, Hornby, Christchurch
 Email sales@marley.co.nz
www.marley.co.nz



Aliaxis company