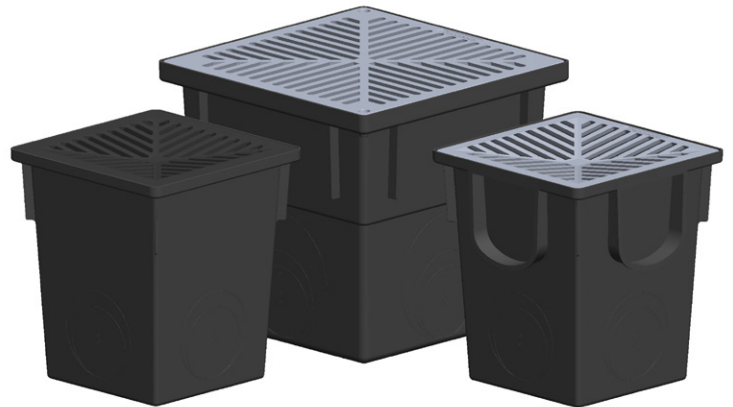
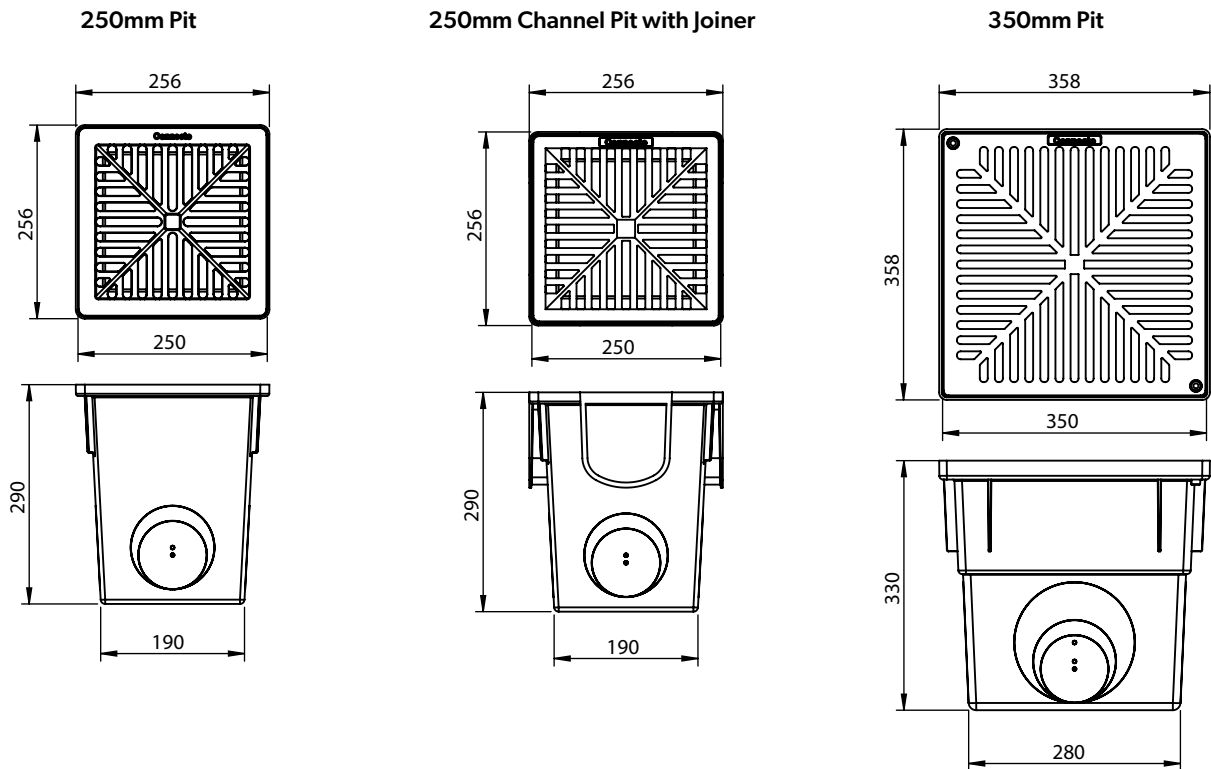


Features

- › Range of 250mm & 350mm domestic rainwater pits to suit most popular applications
- › 250mm pit available with plastic or metal grate option
- › 350mm pit has a metal grate option
- › Connecto Trade® channel pit can be joined directly to Connecto Trade® 130 channel
- › Pre-marked cut outs for easy pipe installation
- › Made from rigid UV stabilised recycled plastic



Dimensions (mm)



Technical specifications

Pit Size	250mm Pit	250mm Pit w/joiner	350mm Pit
Capacity	10 litres	10 litres	25 litres

Product specifications, usage data and advisory information may change from time to time with advances in research and field experience. The Company reserves the right to make such changes at any time without notice. This document is a guide only and the purchaser should ascertain the suitability of this product for the end-use situation intended and when used in conjunction with other products.